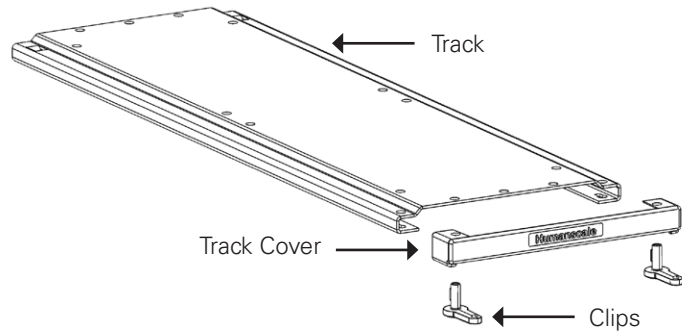


CPU200 Track Installation



Step 2:

Align Mounting Rails of the CPU200 with front edge of Track and slide unit into Track.

Step 3:

Slide Track Cover into Track.

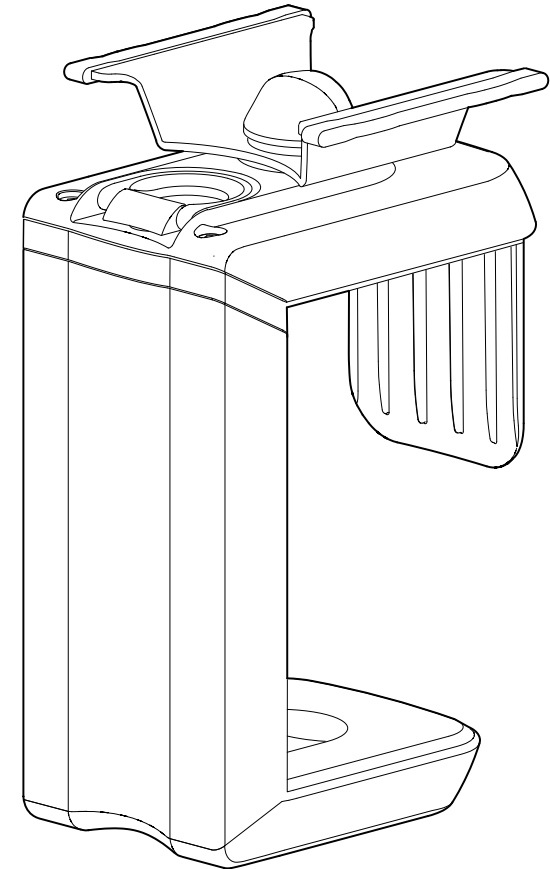
Step 4:

Use Clips to secure Track Cover to Track. Your Track system is now installed.

Removal:

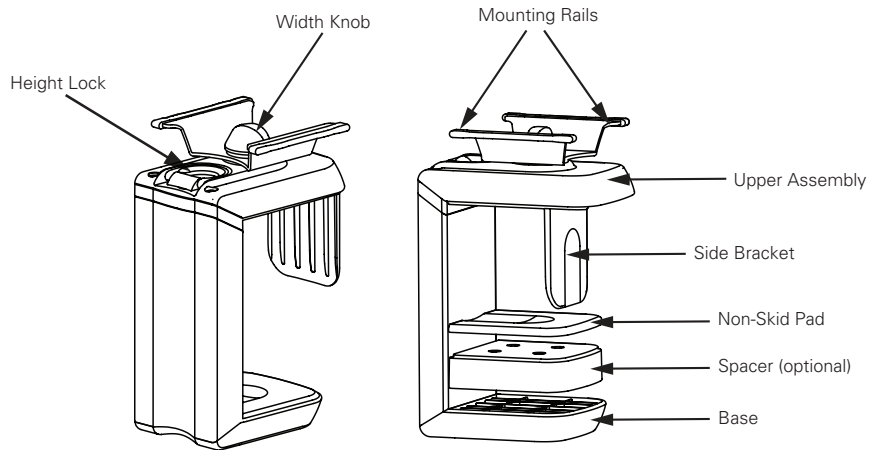
To remove CPU200 from the Track, remove Clips, remove Track Cover, and slide unit off the Track.

CPU200 Installation Instructions



CPU200 Installation Instructions

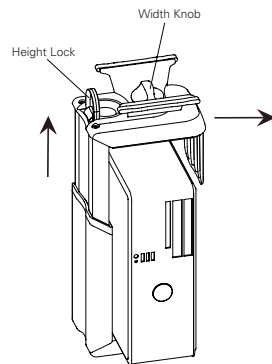
CPU Installation



Step 1:

For CPUs 7" – 12" in Height

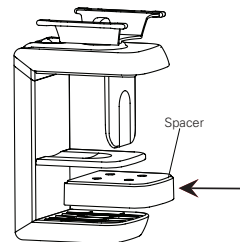
Loosen Width Knob and slide Side Bracket outward. Loosen Height Lock and slide Upper Assembly to highest position. Center CPU on Base.



For CPUs 6" – 7" in Height

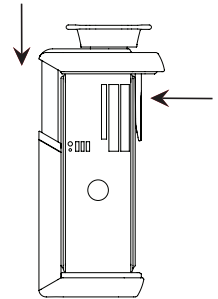
If you have received the optional Spacer, your CPU200 will accommodate a CPU as small as 6 inches in height.

Place Spacer between the Base of the CPU200 and the Non-Skid Pad, then loosen the Width Knob and slide Side Bracket outward. Loosen Height Lock and slide Upper Assembly to highest position. Center CPU on Base.

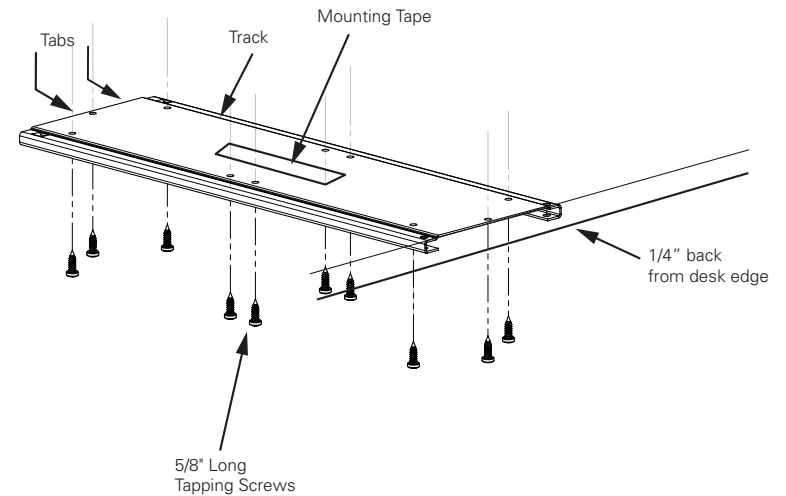


Step 2:

Slide Upper Assembly downward until it sits snugly on top of CPU. Tighten Height Lock. Push Side Bracket inward until it fits tightly against CPU. Tighten Width Knob.



Track Installation



Step 1:

Position track approximately 1/4" from edge of desk with folded tabs facing away from desk edge. Using Mounting Tape, affix Track to underside of desk. Attach Track to desk using Tapping Screws.