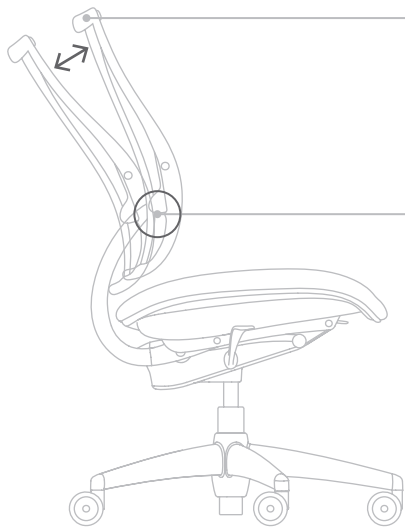
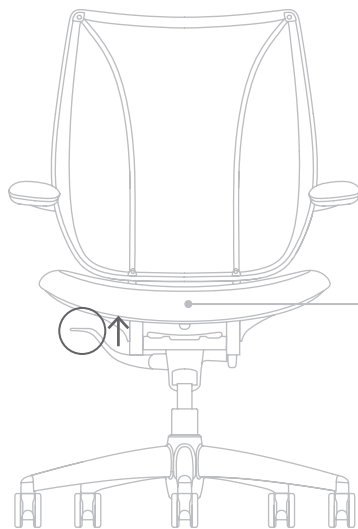


How to Adjust Your Liberty Chair



Recline Tension

Liberty utilizes a sophisticated mechanism that automatically adjusts the recline tension to match your body weight. To set the recline tension, all you have to do is sit. For better health, minimize static postures by changing recline positions often.

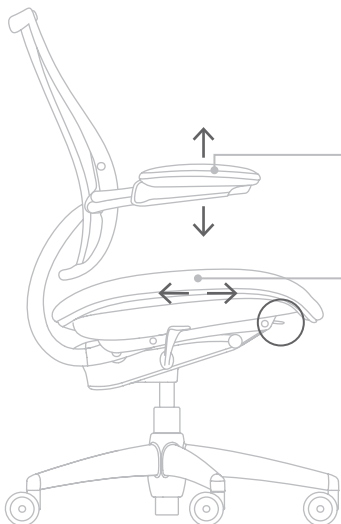


Backrest/Lumbar Support

Liberty's revolutionary Form-Sensing Mesh Technology provides perfect support while automatically adjusting itself to your unique shape. To properly fit the backrest/lumbar support to your body, all you have to do is sit back in the chair and let Liberty do the rest.

Seat Height

Lift up on lever under right side of seat cushion and position chair to a comfortable height, with your thighs parallel to the floor and your feet fully supported by the floor or a footrest. Release lever.



Adjustable Arms (optional feature)

Depress button on underside of armrest by squeezing front edge of armrest. Reposition armrest to desired height and release.

Seat Depth

Lift up on lever under forward edge of seat and slide seat to a position such that when you're sitting with your back fully against the backrest, there are 2-4 inches of clearance between the front edge of the seat and the back of your knee. Release lever.