

*vessel*TM

INSTALLATION INSTRUCTIONS



VESSEL INSTALLATION GUIDE

APPLICATION

Model Number: (VS- ; All Finishes)

VESSEL by Humanscale (the “Product”) is a decorative LED luminaire for dry, interior use. The Product is intended for ceiling-mounted LED lighting for commercial and residential use. Use in any other application has not been evaluated by Humanscale and may lead to an unsafe condition.

Safety Information

Please read, understand and follow all safety information contained in this Installation Guide prior to the installation of the Product. Retain these instructions at the installation site for future reference.

EXPLANATION OF SIGNAL WORD CONSEQUENCES



WARNING: Indicates a potentially hazardous situation, which, if not avoided, could result in death or serious injury and/or property damage.



CAUTION: Indicates a potentially hazardous situation, which, if not avoided, could result in minor or moderate injury and/or property damage.



WARNING

To reduce risk associated with hazardous voltage and fire:

- Disconnect the power source before any installation, maintenance or servicing.
- Use only with constant current controlled electronic UL/CSA certified class 2 output LED drivers with a maximum drive current of 400mA. LED driver must have a voltage output range suitable for driving an 11.5V-12V LED load.
- Always install the Product in accordance with the enclosed Installation Instructions.
- Do not use this Product if damaged.
- Use Product in dry locations only.



CAUTION

To reduce risk associated with environmental contamination:

- At the end of product life, dispose of electronic waste in accordance with applicable local and government regulations.

Warranty

See www.humanscale.com/terms for all warranty information.



Dimensions and Weights

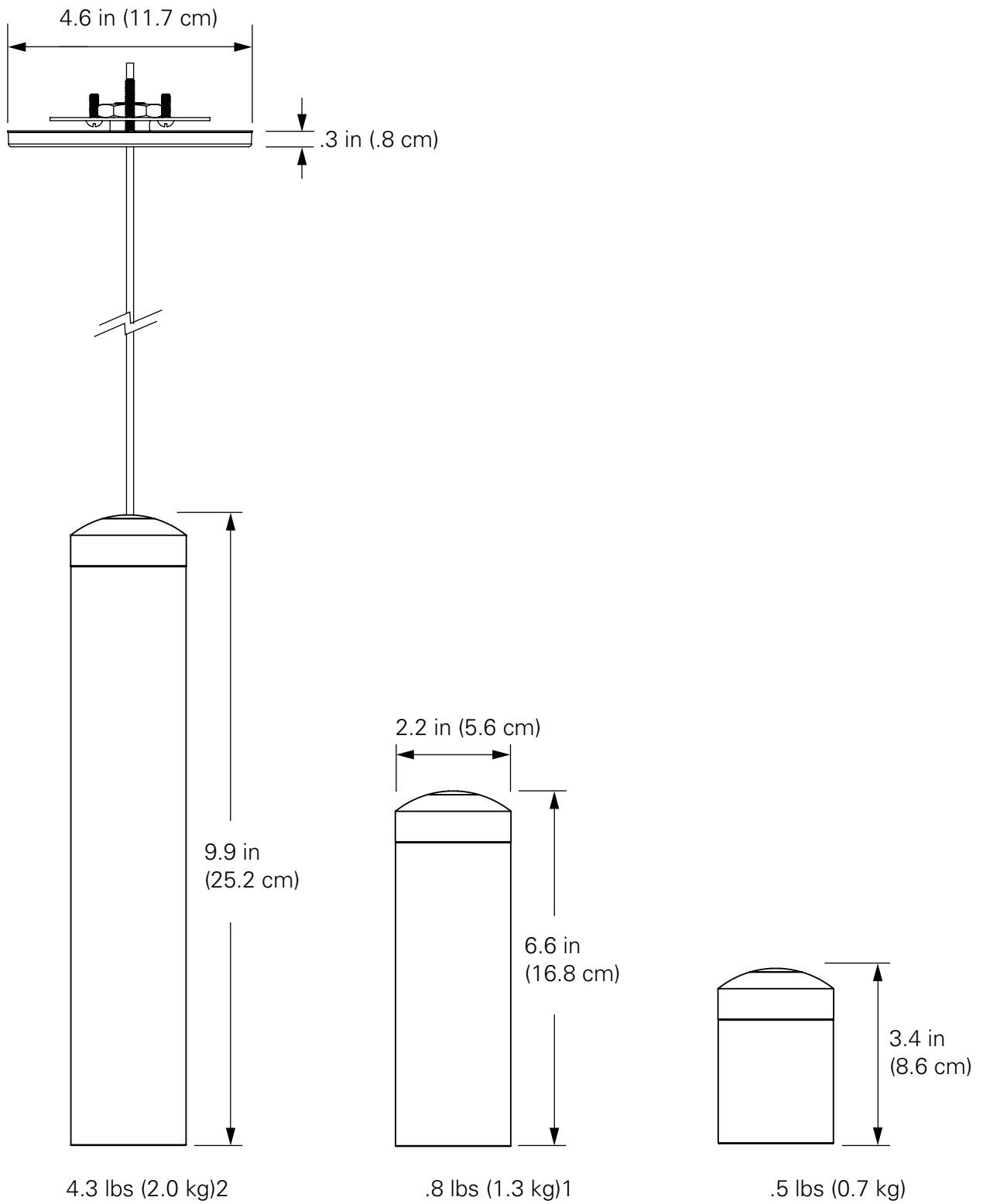


Figure 1.

VESSEL INSTALLATION GUIDE

Read Before Installing

Ensure you have the most current Installation Guide. The information in this Installation Guide is subject to change. Go to www.humanscale.com to obtain a current Installation Guide.

Ensure each installer reads this Installation Guide before beginning. Give these instructions to the customer upon completion. Call Humanscale Customer Service for questions about the Product.

North America +1 800 400 0625

International +353 (0)1 858 0910

Supplied Components

The Product comes complete with the fixture, power cable, mounting system and power supply (See Figure 2).

Additional Materials

Some sites may require additional materials not listed based on site requirements.

Required

- Junction box, 4 in. octagonal or circular, minimum 2.125 in. depth. A junction box extension can be used if necessary.
- Primary wire (AC)
- Wire nuts

NOTE: The glass rod (light guide) is designed to be able to rotate with respect to the metal cap (heat sink LED assembly). Do not attempt to remove the cap or tighten the set screws on top of the cap. Doing so could damage the VESSEL pendant.

NOTE: Remove the protective sleeve from the VESSEL pendant light guide only after the installation is complete. The light guide is fragile and easily chipped if it contacts a hard surface.

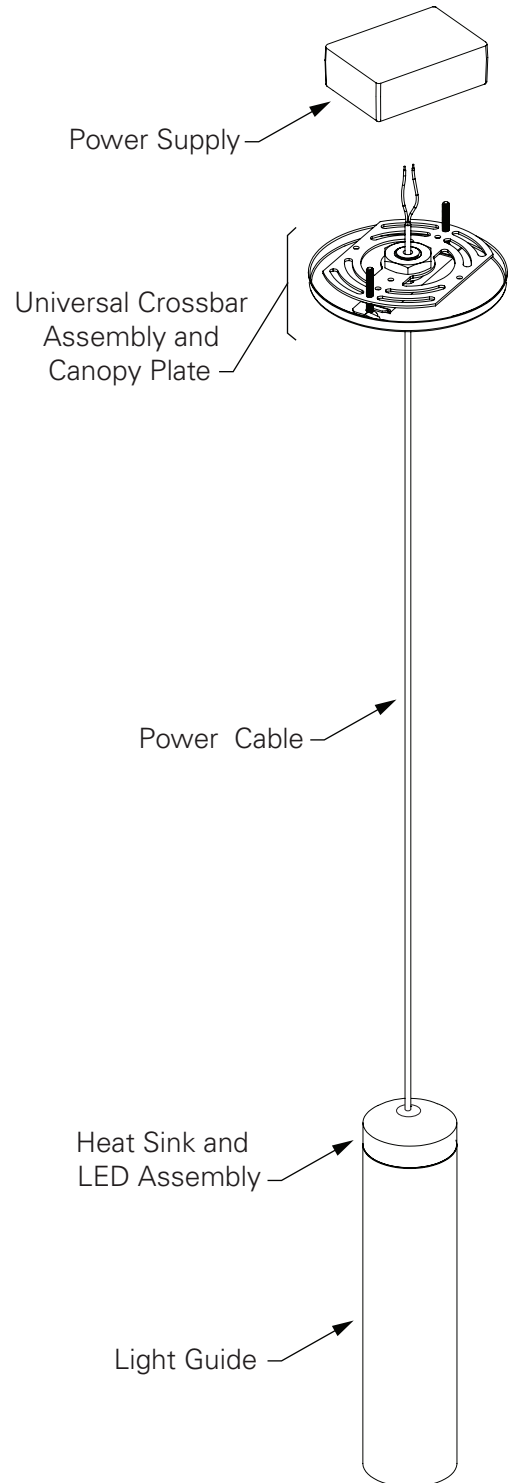


Figure 2.

VESSEL INSTALLATION GUIDE

INSTALLING THE PRODUCT

Install Rough-in Wiring and Components

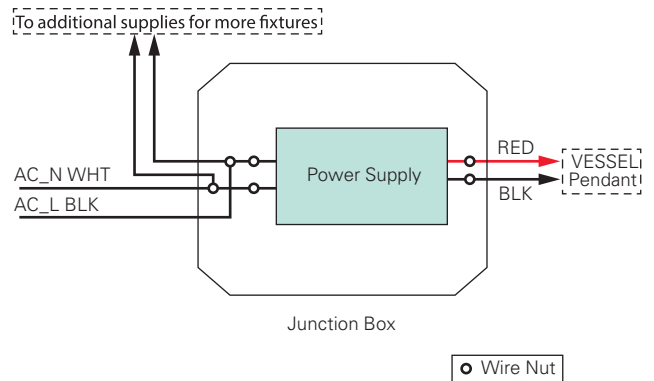
The customer is responsible for the selection and installation of the junction box, switch box and rough-in wiring. A 4 in. octagonal or circular junction box (min. 2.125 in. depth) is required.

Wiring Diagram for ELV Dimmers, Triac Dimmers and basic switches.

Follow switch or dimmer manufacturer's manual for wiring instructions

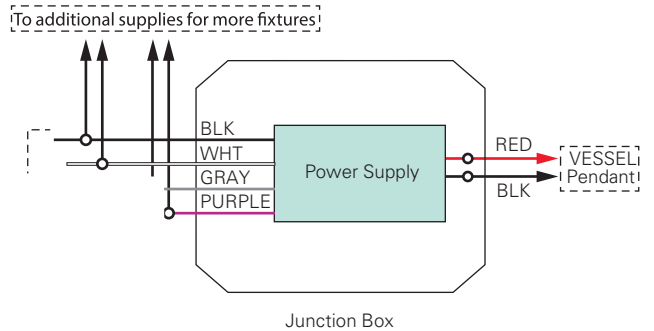
⚠ WARNING

To reduce risk associated with fire: Use only with constant current controlled electronic UL/CSA certified class 2 output LED drivers with a maximum drive current of 400mA. LED driver must have a voltage output range suitable for driving an 11.5V-12V LED load.



Wiring Diagram for 0-10V Dimmers.

Follow switch or dimmer manufacturer's manual for wiring instructions



Humanscale Ordering Option	-120	-010
Dimming Type	Triac / ELV	0-10V
Voltage Input	120V	120-277V
Power Factor	>.9	>.5
Inrush Current	10A Max	2.6A @ 120V 6A @ 277V

VESSEL INSTALLATION GUIDE

INSTALLING THE PRODUCT (continued)

Install Power Supply

1. Ensure that the AC circuit is de-energized.
2. Connect the AC leads from the power supply to the rough-in cables in the junction box (See Figure 4).

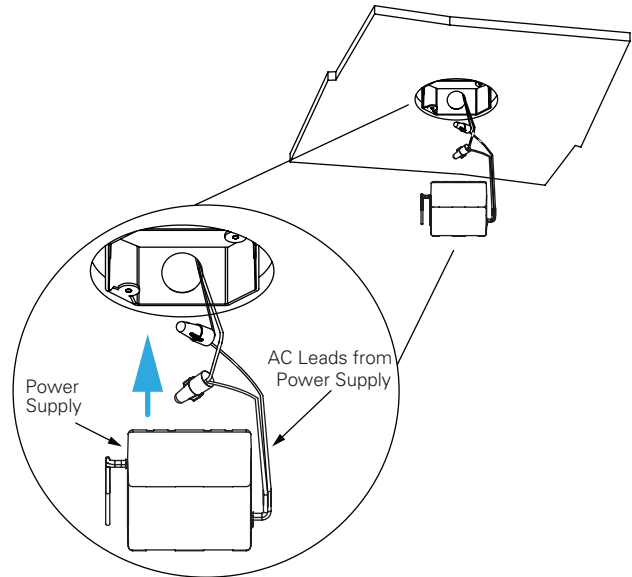


Figure 4.

Adjust Power Cable to Desired Length

1. Loosen the set screw securing the strain relief bushing, then adjust the length of the power cable between the universal crossbar and the fixture as desired (See Figure 5).
2. Tighten the set screw, ensuring that the split in the strain relief bushing is NOT aligned with the set screw.
3. Trim the end of the power cable above the universal crossbar and strip the leads.

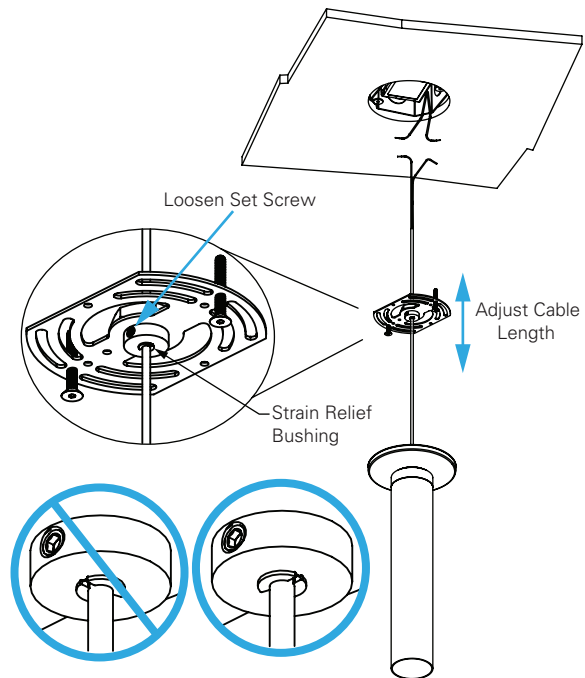


Figure 5.

VESSEL INSTALLATION GUIDE

INSTALLING THE PRODUCT (continued)

Connect the Power Cable to the Power Supply

- Connect the DC leads from the power supply to the leads from the power cable (See Figure 6). Ensure that the DC leads are connected red to red (positive) and black to black (negative).

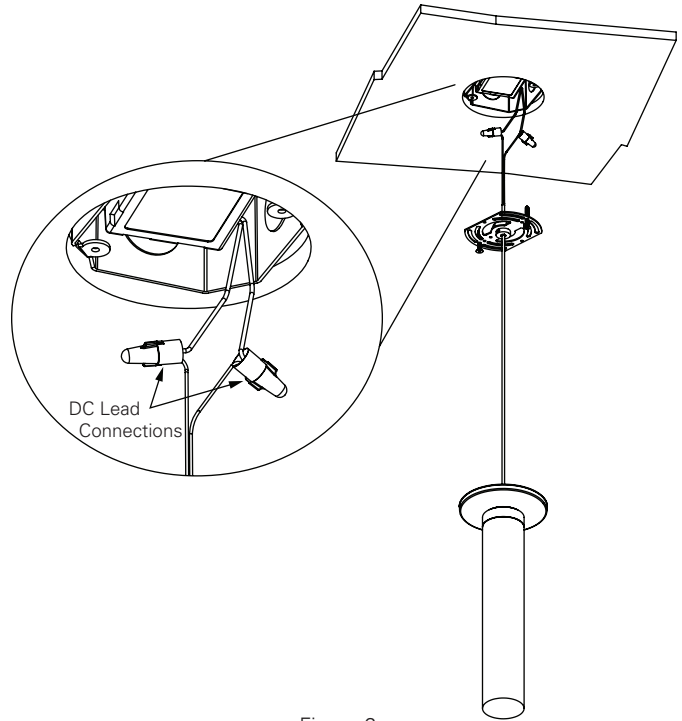


Figure 6.

Attach the Universal Crossbar to the Junction Box

- Attach the universal crossbar to the junction box using the screws supplied with the junction box (See Figure 7).

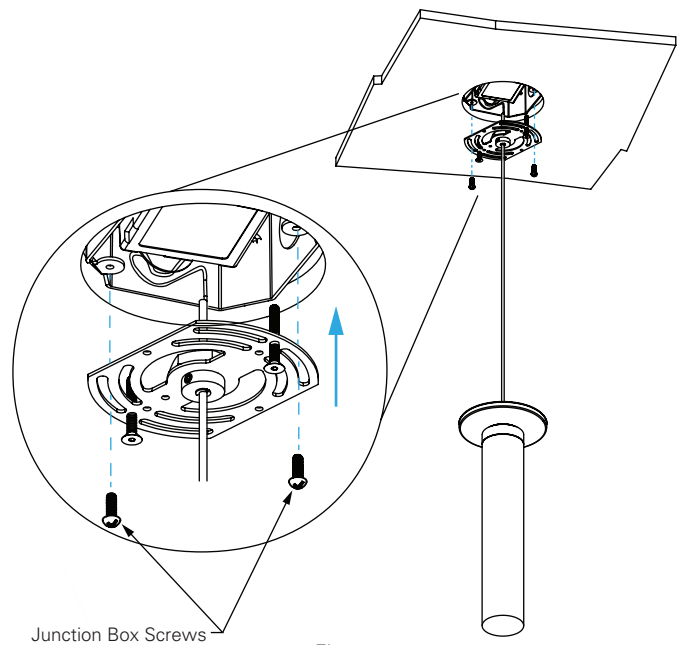


Figure 7.

INSTALLING THE PRODUCT (continued)

Install the Canopy Plate

1. Adjust the stand-off screws. The canopy plate should be flush with the ceiling when installed.
2. Install the canopy plate on the stand-off screws, turning the plate as shown (See Figure 8).

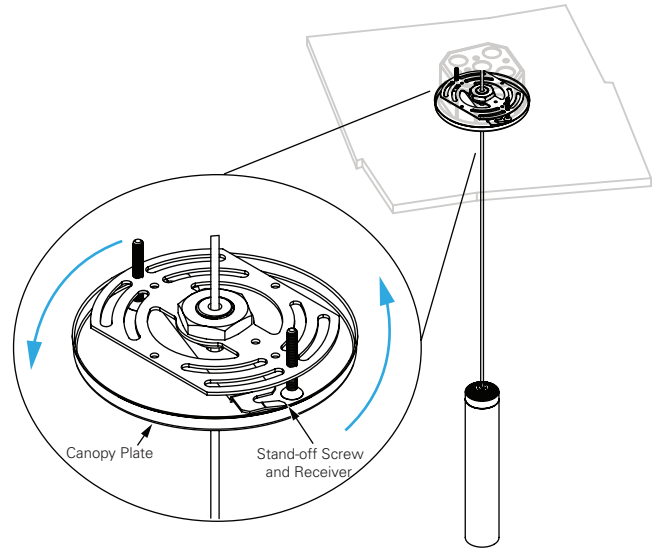


Figure 8.

VESSEL INSTALLATION GUIDE

Component Replacement

Replacement VESSEL fixtures and accessories can be ordered from Humanscale. For ordering information, please see the VESSEL by Humanscale Specification Sheet or go to www.Humanscale.com.

Handling, Cleaning and Repairing

Handling: The Product can be damaged if improperly or roughly handled. Keep the Product in its original packaging until installation, and if feasible, transport the Product to the site in its original box. Remove the protective sleeve from the VESSEL pendant light guide only after the installation is complete. The light guide is fragile and easily chipped if it contacts a hard surface. The glass rod (light guide) is designed to be able to rotate with respect to the metal cap (heat sink LED assembly). Do not attempt to tighten the set screws or to remove the cover on the top of the cap. Doing so could damage the VESSEL pendant.

Cleaning: If needed, use the included Microfiber Cleaning Cloth to clean the light guide. Alternately, a mild, non-abrasive cloth with water-based detergent solution or pre-moistened eyeglasses lens-wipes can be used.

Repairing: Except for replacing the power supply with a Humanscale approved or Humanscale provided power supply, DO NOT attempt to repair the VESSEL fixtures, which do not have user-serviceable parts.

Troubleshooting

If the solutions below do not work for you, please call Humanscale Technical Service at:
North America +1 800 400 0625 / International +353 (0)1 858 0910

Table D. Troubleshooting

LED does not illuminate	Power supply does not have AC input	Verify that input voltage is being supplied.
	Improper wiring	Check the circuits wiring and verify all connections are secure.
	Power supply does not have 12VDC output (assumes no dimmer).	Verify that output voltage is being supplied. If input voltage is supplied but output is not, the power supply needs to be replaced.

Related Documentation

Please refer to the VESSEL Specification Sheets for product specifications and ordering information.

VESSEL INSTALLATION GUIDE

FCC Notice

Vessel Models: VS- , VW-

Note: This equipment has been tested and found to comply with the limits for a Class B digital device, pursuant to part 15 of the FCC Rules. These limits are designed to provide reasonable protection against harmful interference in a residential installation. This equipment generates uses and can radiate radio frequency energy and, if not installed and used in accordance with the instructions, may cause harmful interference to radio communications. However, there is no guarantee that interference will not occur in a particular installation. If this equipment does cause harmful interference to radio or television reception, which can be determined by turning the equipment off and on, the user is encouraged to try to correct the interference by one or more of the following measures:

- Reorient or relocate the receiving antenna.
- Increase the separation between the equipment and receiver.
- Connect the equipment into an outlet on a circuit different from that to which the receiver is connected.
- Consult the dealer or an experienced radio/TV technician for help.

The FCC requires the user be cautioned that any changes or modifications made to this device that are not expressly approved by Humanscale may void the user's authority to operate the equipment.

Humanscale

11 East 26th Street, 8th Floor

New York, NY 10010

+1 800 400 0625

Innovation, Science and Economic Development Canada ICES-005 Compliance Notice:

CAN ICES-005 (B) / NMB-005 (B)